

HEALTH AND SAFETY WHILE WORKING WITH A HARVESTING TRAILER



Risks



Injuries caused by being crushed or by falling objects



Risk of falling



PPE for safety



Wear tight-fitting work clothing



Wear safety shoes (S3 with SRC sole)



Measures

1. Before starting work



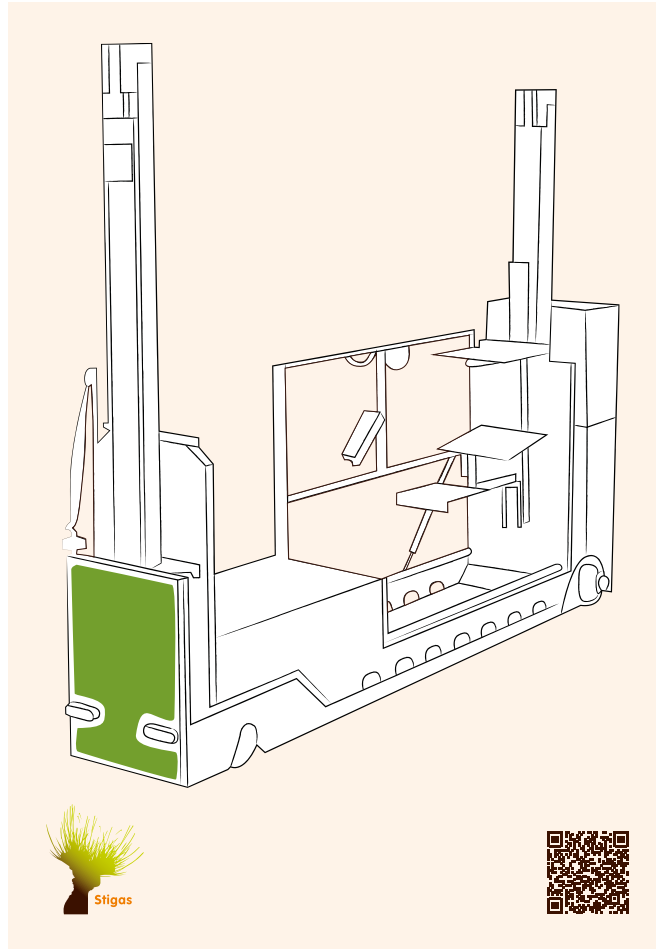
Only use it after having received instruction



Make sure that the work floor and forklift are clean



Only use the machine for the purpose for which it was designed



Call in the event of emergency or breakdown

2. Performing work



Prevent entrapment between the harvesting trailer and the growing beds



Platform should be in the lowest position when replacing it



Close doors and chains. Always stay within the handrails



Never have 2 persons on the forklift



Don't stand on the barrel section



Move only on a flat floor



Don't place stepladders, crates or elevations on the platform



Never climb onto the forklift via the growing beds



Keep your hands and fingers away from wheels, axles and moving parts.



Always stop in the event of an unusual sound, jolt, or misalignment

3. After completing work



Switch off the main switch



Don't direct a jet of water directly at the hydraulic system



Only leave the harvesting lift when it is in the lowest position



Switch off the machine when doing cleaning, adjustment or maintenance work